



# FT150 VX

from the industry-leading innovator



[RING-O-MATIC.COM](http://RING-O-MATIC.COM)

# FT150 VX



FEATURES	FT150VX
Mountings	Skid Steer / Truck / Trailer
Spoils Capacity (gallons / liters)	150 gallons / 550 liters
Water Capacity (gallons / liters)	90 gallons / 340 liters
Optimum & Balanced Tongue Weight	671 lbs empty
Engine	25 HP - Air Cooled Kohler
Fuel Tank Capacity (gallons / liters)	7 gallons
Dual LED work lights and strobe	Available
Warranty	1 year

## OPERATOR CONTROLS

Hour Meter / Tachometer / Vacuum Gauge	Optional
Load Level Indicator and Auto Shutoff	Auto shut-off only (option)

## SPOILS TANK DETAILS

Unload Fixed Tank	32 degree tilt
Full Opening Rear Door	Manually operated
Rear Door Latch	Manual single latch design
Inlet Valve Size / Drain Valve Size	3"

## MACHINE DETAILS - HEAVY DUTY 5" FRAME

Trailer/Hitch Type	Skid Steer / Truck / Trailer
Height x Length x Width (inches)	87.10" x 134.03" x 71.07"
Height x Length x Width (meters)	2.21 x 3.40 x 1.81
Empty Weight - (lbs / kg)	1,984 / 900
Axles, Capacity and Suspension Type	4,000 lbs Dexter Torflex
Tire Size	225 / 75 R15
Trailer Brakes	Never adjust electric
Skid Mount - Height x Length x Width (ft/in)	71.46" x 99.78" x 62.56"
Skid Mount - Height x Length x Width (m)	1.82 x 2.53 x 1.59
Skid Mount - Empty Weight (lbs / kg)	1545 / 700

## VACUUM PUMP / BLOWER DETAILS

Vacuum Pump/Blower Type	PD lobe pump
CFM / Max Hg	600 CFM / 15" / Howden Roots
Reverse Flow	Optional
Cyclo-Separator Air Filter Type / Capacity	Replaceable canister

## WATER SYSTEM DETAILS

Water Pressure/Water Supply	3.5 GPM @ 3,000 PSI
Electronic Low Water Shut-Off	Standard
Auto Water Pump Unloader to Reduce Engine Loading & Wear	Standard
Water Pump Drive	Belt with electric clutch
Water Supply Hose	25' x 3/8" ID
Easy-to-Use Winterize System	Standard

## OPTIONS

Patented Cyclo-Jet Pothole Excavator - Stainless or Dielectric	Recommended
Lighted Arrow Bar to Direct Traffic	Optional
In Tank Clean Out System	Optional

\*SPECS ON MACHINE MAY CHANGE

# KEY FEATURES

## ENGINE



THE FT 150 VX IS POWERED BY A 25-HP KOHLER GAS ENGINE, WHICH PROVIDES AMPLE AMOUNT OF POWER TO RUN THE BLOWER AND WATER PUMP.

## FIXED-TANK

THE FT 150 VX HAS A FIXED SPOILS TANK DESIGN WHICH ELIMINATES THE NEED FOR HYDRAULICS ON THE MACHINE. THIS MAKES REMOVING SPOILS AND WASHING OUT THE TANK SIMPLE AND EASY.



## BLOWER



THE FT 150 VX HAS A 600 CFM HOWDEN ROOTS BLOWER THAT OFFERS 15" OF MAX HG. OPTIONAL REVERSE FLOW FOR EASY OFFLOADING AND ASSISTS IN CLEARING HOSE OBSTRUCTIONS.

## WATER PUMP

WITH A WATER PUMP RATED AT 3.5 GPM / 3000 PSI THE FT 150 VX WILL DIG AND PERFORM IN ALL TYPES OF SOIL CONDITIONS.



## WATERTANK



WITH A 90 GALLON FRESH WATER TANK CONVENIENTLY LOCATED UNDER THE SPOILS TANK, YOU WILL ALWAYS HAVE ENOUGH WATER TO FINISH THE JOB.



## SKID STEER MOUNT

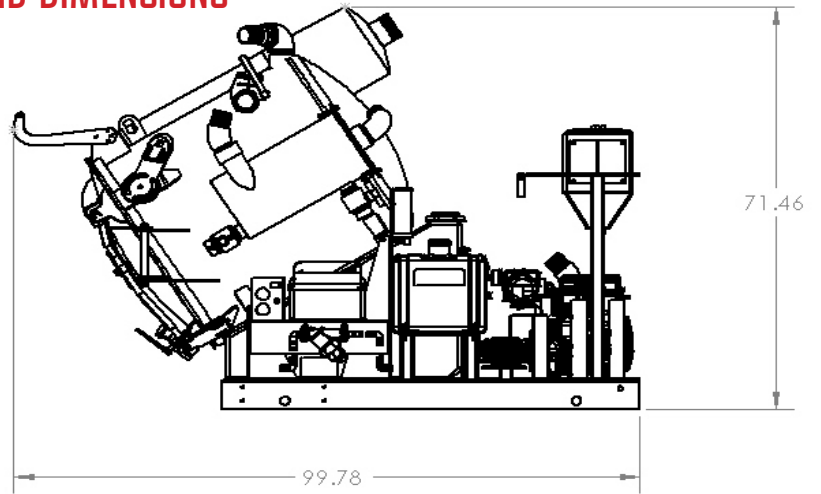
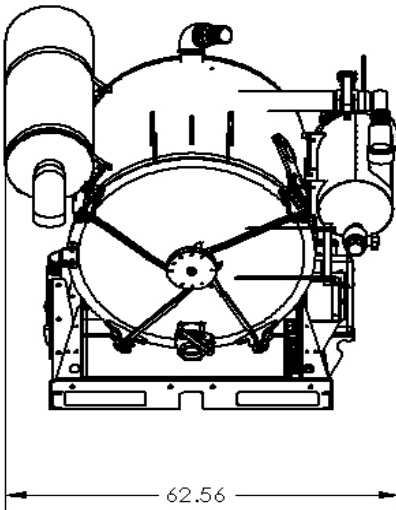
THE FT 150 VX IS EQUIPPED WITH AN OPTIONAL SKID STEER MOUNT ALLOWING EASY ACCESS TO BACK YARD EASEMENT LOCATES AND OTHER AREAS WHERE A TRUCK AND TRAILER WOULD NOT BE ABLE TO GO. THE SKID MOUNT ALSO ALLOWS THE FT 150 TO BE PLACED IN A STANDARD SIZE PICKUP BED. THE VERSATILITY OF THE FT 150 VX ALLOWS THIS MACHINE TO SEPARATE ITSELF FROM ITS COMPETITORS.



800.544.2518

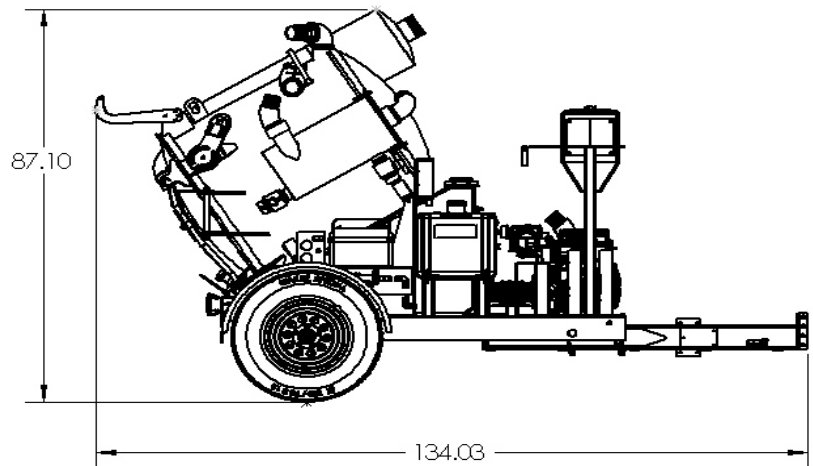
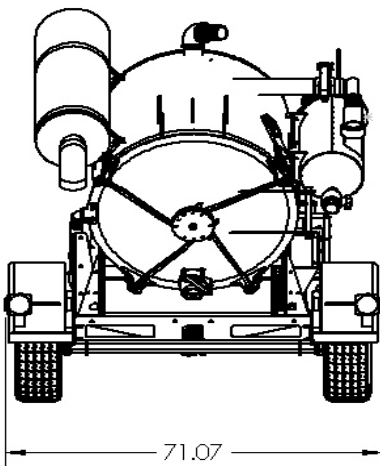
# FT150 VX

## SKID DIMENSIONS



## TRAILER DIMENSIONS

ALL MEASUREMENTS ARE GIVEN IN INCHES



FOR ALL TRUCK MOUNT  
SPECIFICATIONS PLEASE  
CONTACT OUR SALES  
DEPARTMENT @  
800-544-2518



1714 FIFIELD ROAD  
PELLA, IOWA 50219

All equipment shown is for illustrative purposes only and may display optional accessories or components. Please contact your local Ring-O-Matic dealer or Corporate sales team for more information about machine specifications. Ring-O-Matic reserves the right to make changes in engineering, design and specifications; add improvements; or discontinue manufacturing at any time without notice or obligation. RING-O-MATIC, RING-O-MATIC Corporate logo, Ring-O-Matic Company R logo, PROVEN PERFORMANCE and VIPER are trademarks of Ring-O-Matic, INC. in the U.S. and / or other countries.