



 **Madvac**[®]

LC400 & LC600 VEV 

Electric Litter and Waste Collector with Trailer Attachment

Coming Soon

Sourcewell 
Formerly NJPA

 **canoe**
procurement group of canada

awarded contract vendor

www.madvac.com

Add litter capacity to your Madvac LP61-G skid-mount portable vacuum with our new tow behind, fully electric litter compactor LC400 and LC600.

The ideal solution for collecting waste in limited access areas such as parks, crowded city centers, and more!

The LC400/LC600 can be used as satellite units and discharge in larger rear loaders near-by on streets, easier to access.

Our unique, eco-friendly Madvac collectors are a no brainer for cities and contractors.



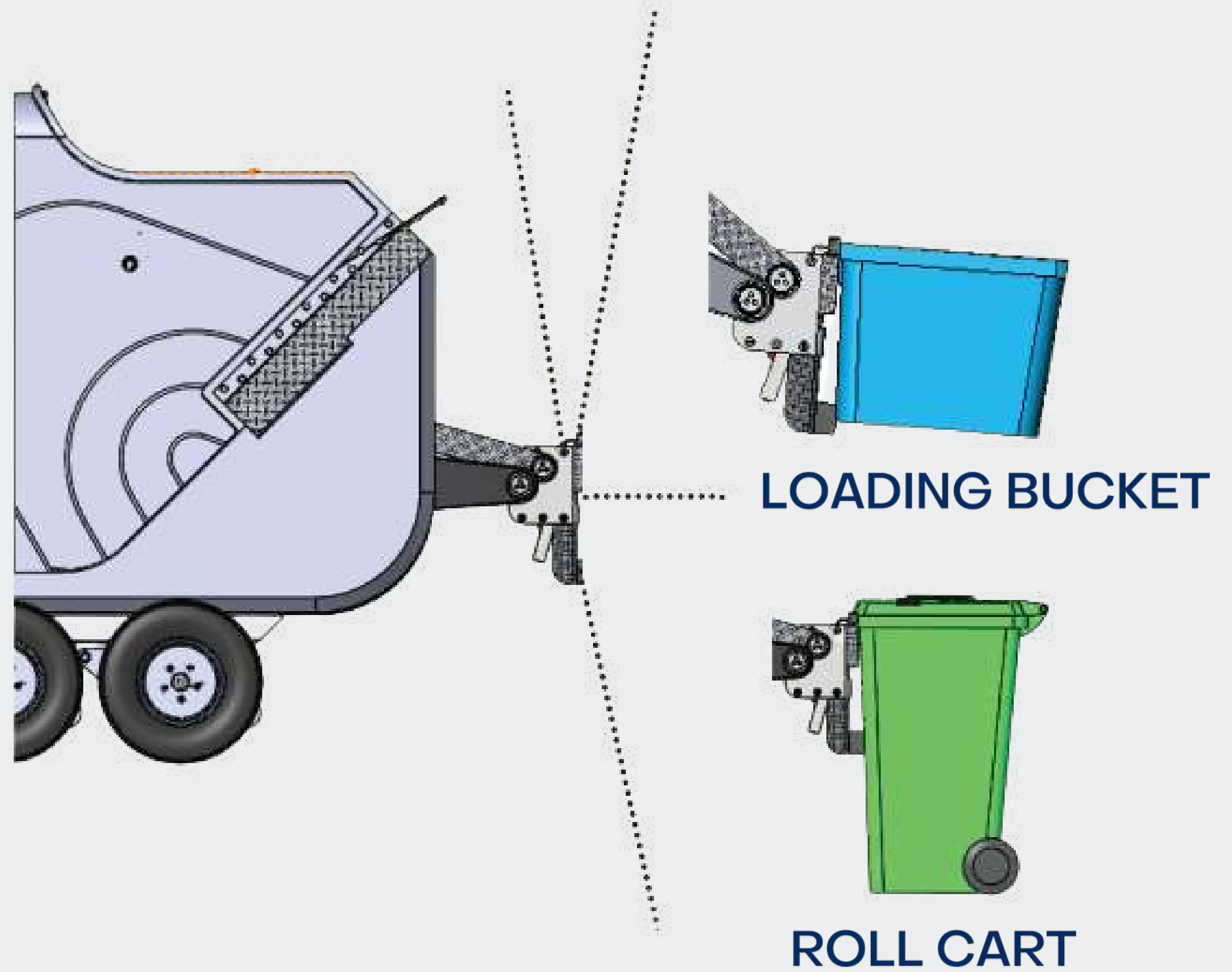
Increase LP61-G litter container capacity from 0.3 cu. yd. to 4 cu. yd. (1233% increase) with the Madvac LC400, or 6 cu. yd. (1900% increase) with the Madvac LC600.

CART TIPPER THAT CAN BE USED TO COLLECT:

LC400/LC600 uses a single electric motor for loading, compacting and tipping!

Madvac LC400/LC600 collector specifically designed for

- Cities and Municipalities
- Contractors
- Landfills
- Transfer stations
- Solid waste & recycling facilities
- Manufacturing facilities
- Transit authorities
- Educational and sports facilities
- Amusement parks
- Distribution centers
- Correctional facilities
- Healthcare services

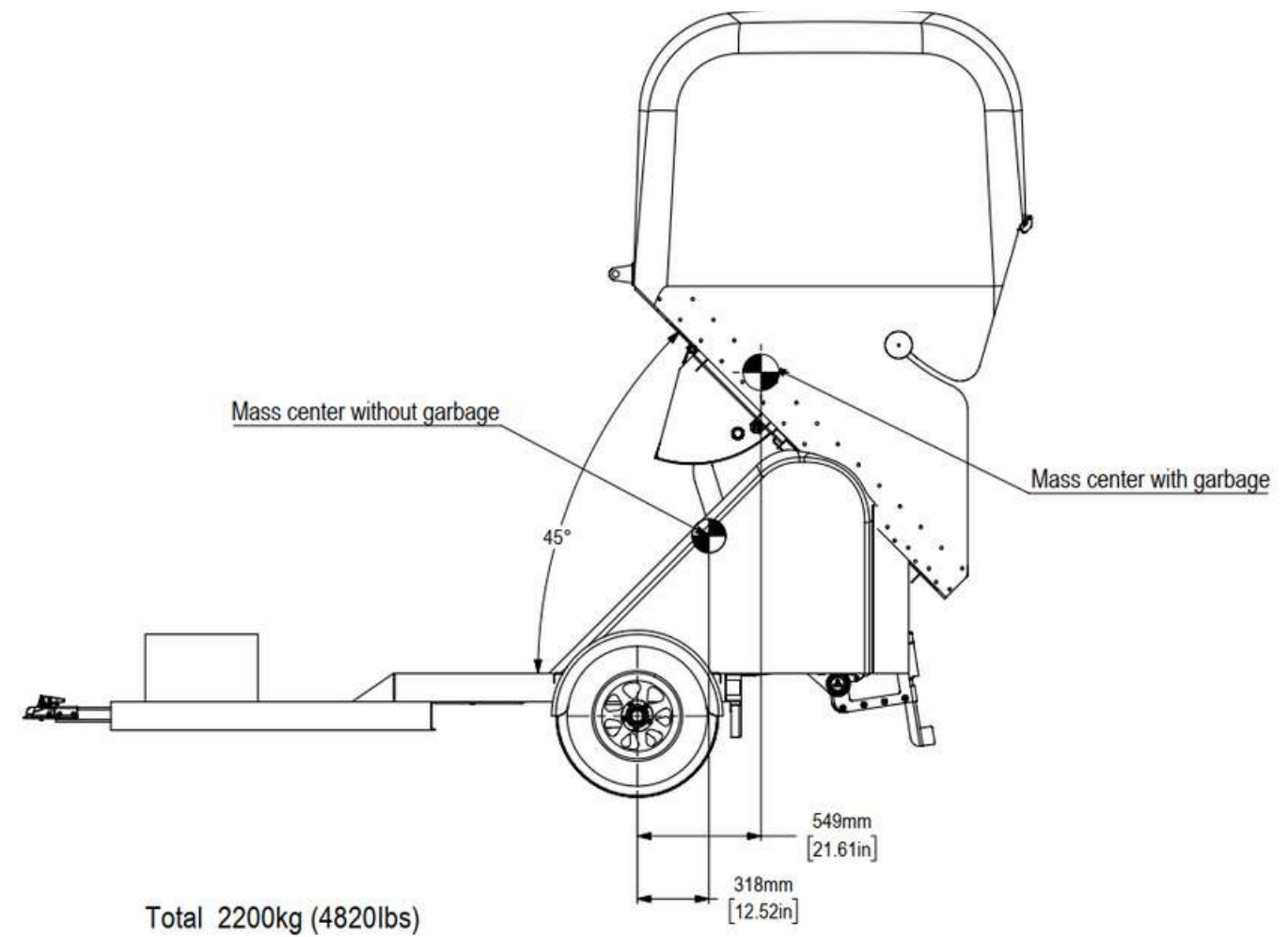
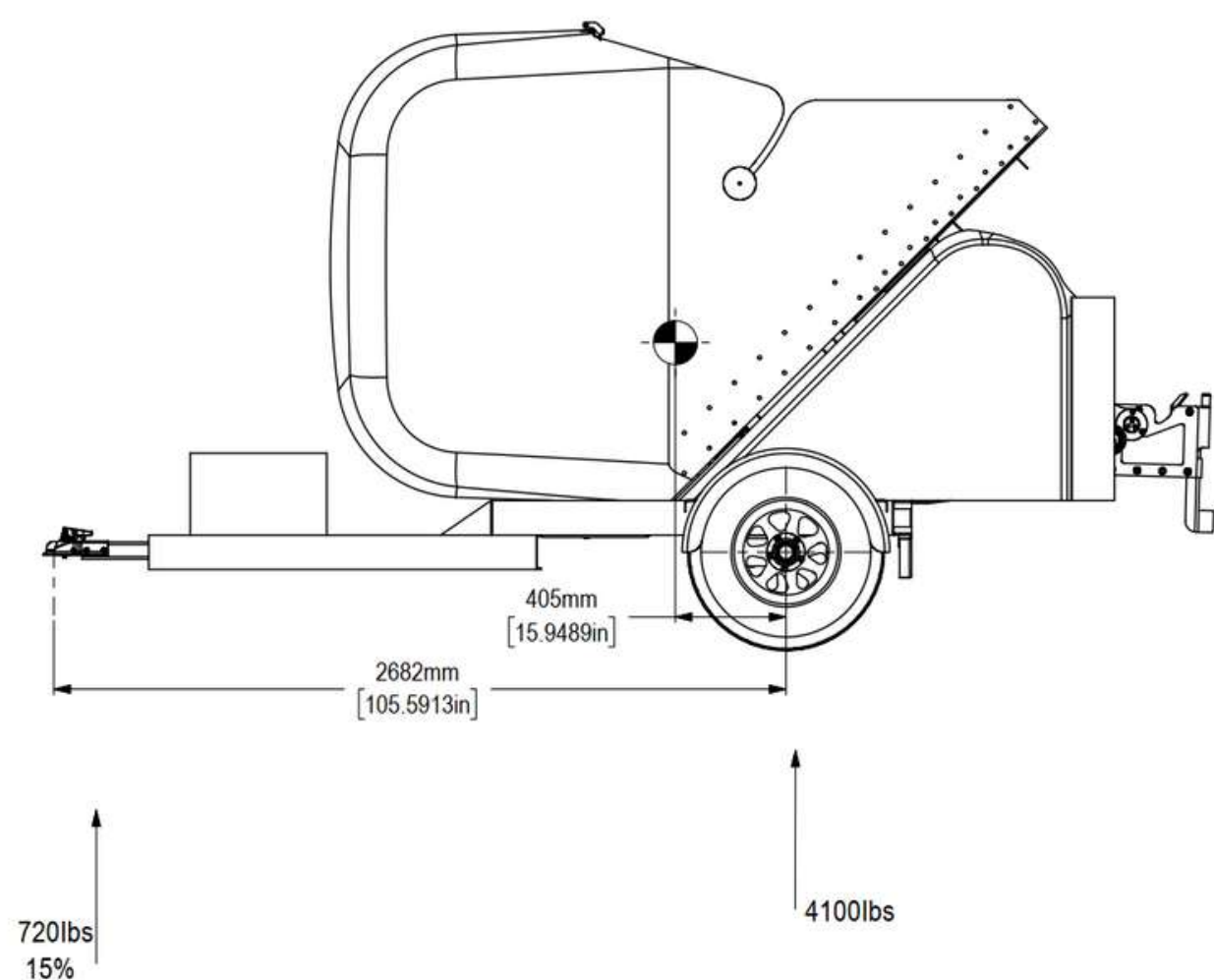


Easy to operate safe, reliable – the fully electric Madvac LC400/LC600 collectors help you get the job done quicker, and reduce GHG !



LC400 & LC600 Data & Performance Information

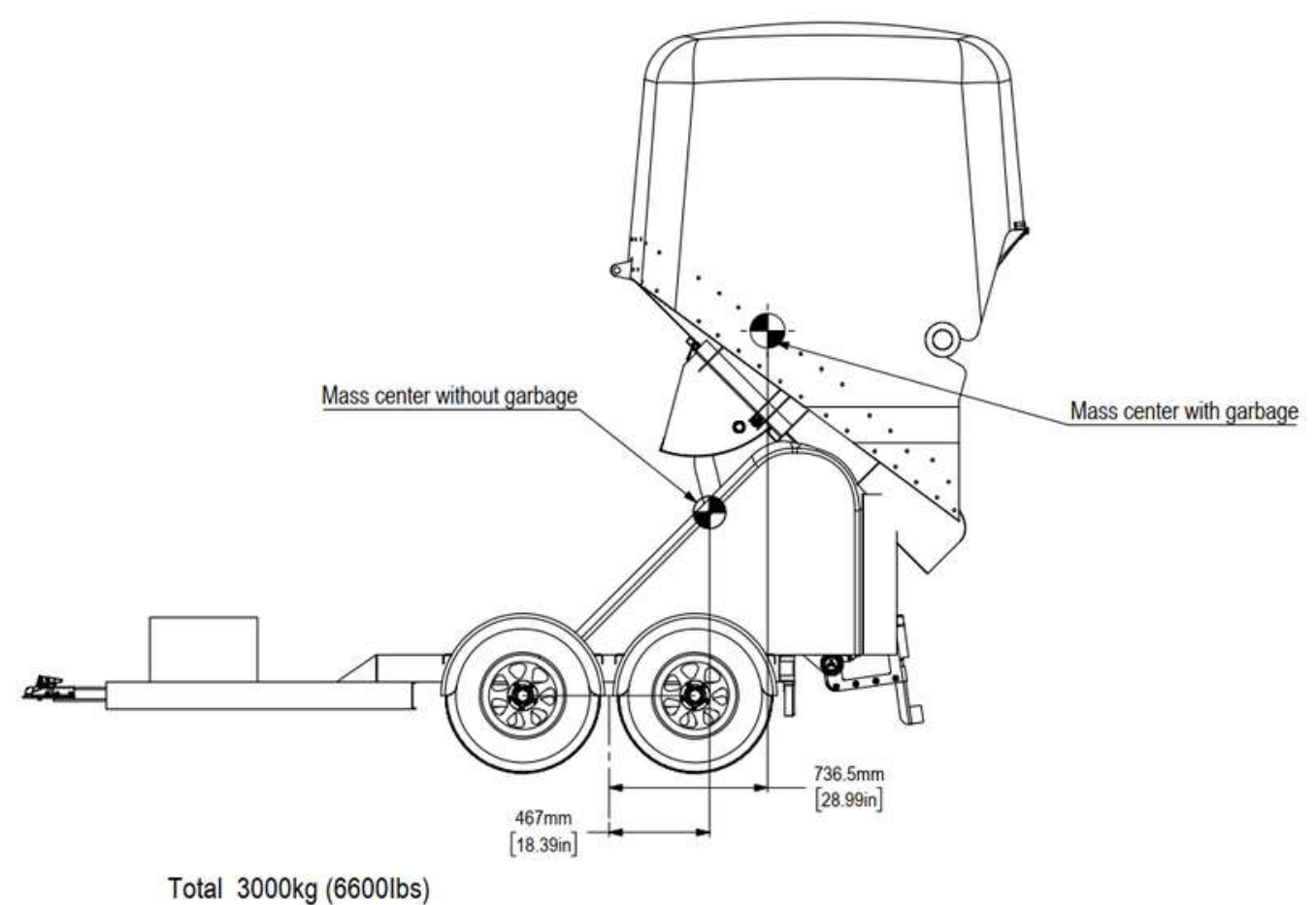
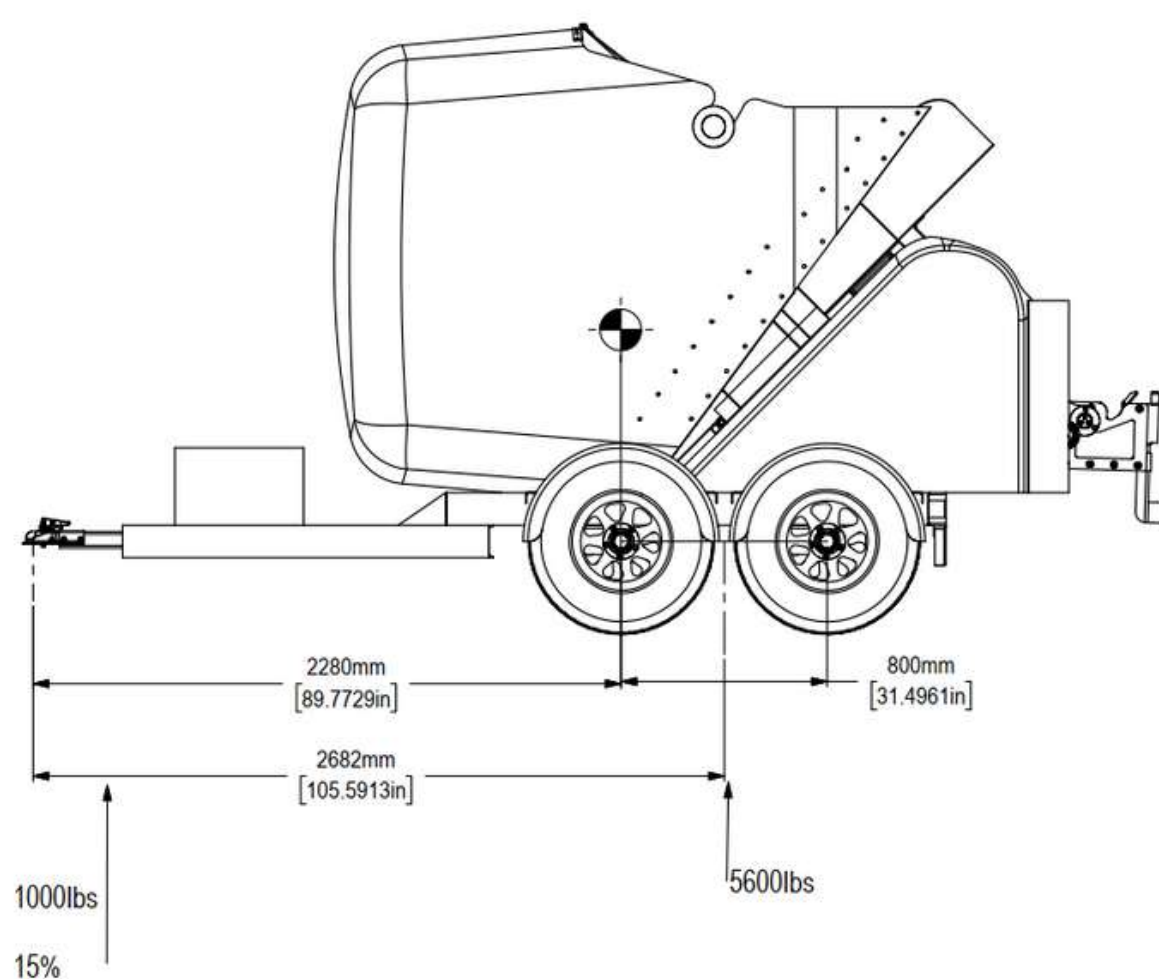
LC400 (4 cu.yd.) Electric Litter and Waste Collector



- Tow-behind solution attached to existing pick-up truck instead of purchasing a dedicated trash collecting vehicle
- Access areas not easily managed by conventional garbage trucks
- Accelerate litter collection runs
- Significant litter capacity increase to the Madvac LP61-G portable vacuum for increased productivity and efficiency
- Easy pick-up & load for recycling carts, baskets, and bins
- Complete cycle of tipping and packing completed in less than 10 seconds
- Optional rear riding steps for faster manual collection with one driver and one operator

- Built using state of the art components from renowned suppliers such as Vanguard, Linak, Benivelli, Montenergy, Canimex, and Parker
- Single motor for loading, compacting, and tipping
- Lithium LiFePO4 battery powered unit 48V / 5 kWh offers between 8 to 10 hr autonomy (operating temperature -30 to 50C)
- Innovative, patented high-compacting density compactor system – low maintenance
- Carbon fiber polyurethane stainless steel and Hardox 450 for better durability and maximized payload
- Safe, low mass center even with a fully loaded body

LC600 (6 cu.yd.) Electric Litter and Waste Collector



Proud manufacturer of the Madvac product line

Telephone:

- 1-855-651-0444 (toll free - US/Canada)
- 1-450-651-0444 (international)

Fax: 450-651-0447

Email: info@exprolink.com

Address: 2170 Rue de la Province, Longueuil QC, Canada J4G 1R7

Website: www.madvac.com

Sourcewell (US) and Canoe (Canada) contract vendor number: **093021-EXP**

Technical specs are subject to change without prior notice