

HARBEN[®]

E-180 DTK 375



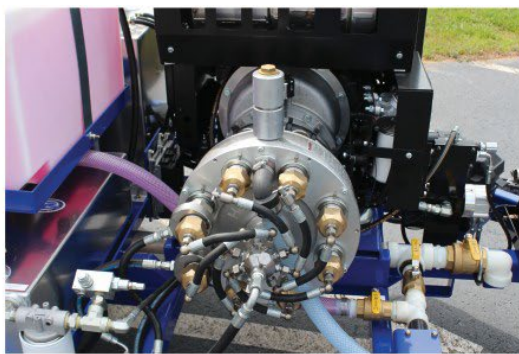
- Proven Harben Build Quality
- Up to 4000 PSI @ 18 GPM
- Cleans Drains Up To 18 Inch Diameter
- Hydraulic Rewind Hose Reel
- Wireless Remote Option
- Antifreeze Tank
- Jump Jet Kit
- Lightweight & Compact
- 500 Hour Maintenance Interval

*Partner with
the company
that revolutionized
water jetting*

Model	DTK 375 E-180
Pressure and Flow	Up to 4000 PSI @18 GPM
Pump	Harben Run Dry Radial Piston Diaphragm Pump
Engine	Kubota 49 HP Diesel Engine
Water Tank	375 gallon Capacity With 750 Gallon Option
Diesel Tank	8 Gallon (8 hr run time under normal operating conditions)
Frame	Folded Steel Shot Blasted and Powder Coated
Hose Reel	Hydraulic Rewind Fixed Reel (1/2" X 500' capacity) with Speed Control
Dimensions	186" Long X 88" Wide X 75" High. Weight 3800 lbs Excluding Water*
Build Options	Wireless Remote 300' Range – Lateral Kit- Dump Gun



* All weights & dimensions are approximate



 **HARBEN**[®]
High Pressure Water Technology

2010 Ronald Reagan Blvd. Cumming, GA 30041
Toll Free: (800) 327-5387 | Phone: (770) 889-9535
Email: sales@harben.com | www.harben.com

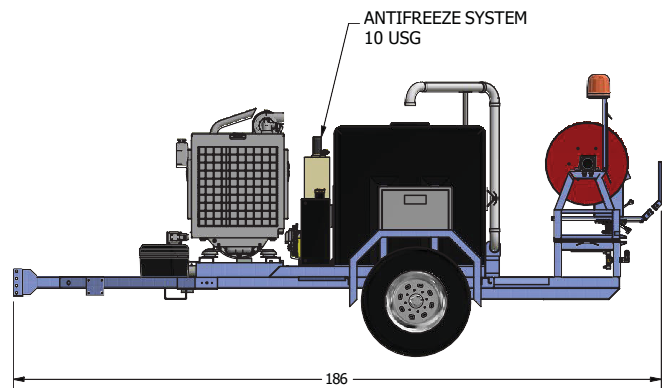
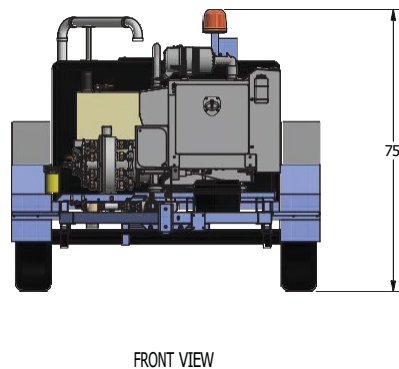
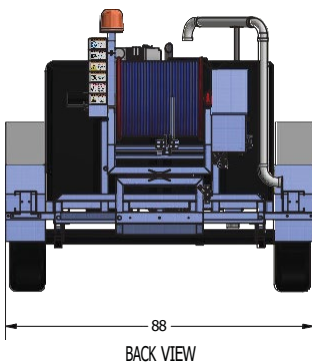
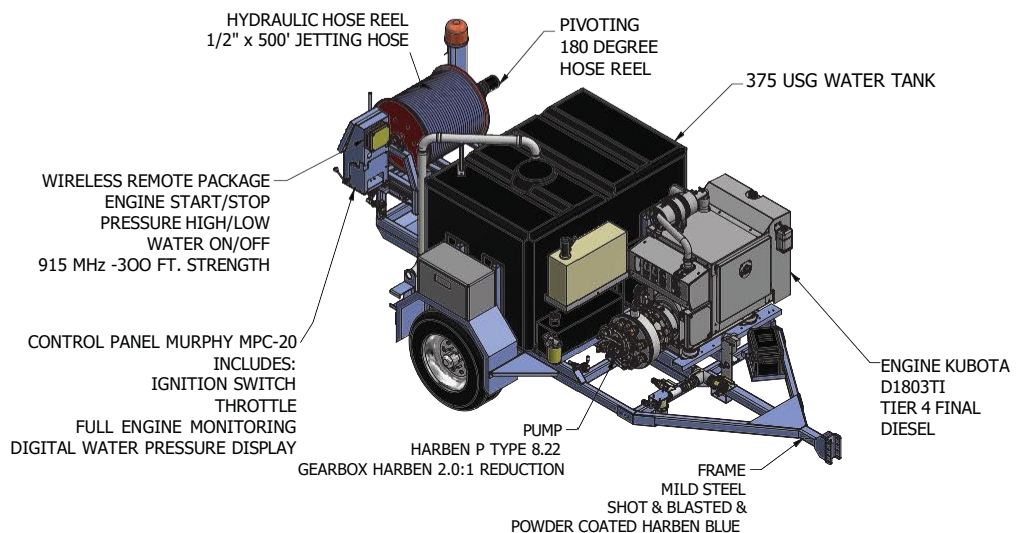
E-180 DTK 375

STANDARD OPTIONS:

- 10' Orange Leader Hose
- 9" Drain Jet Extension
- 2" Tiger Tail
- 10 GAL Antifreeze System
- 16" Chrome Wheels and Tires
- 12 Volt Outlet
- Jump Set Pulsation System
- LED Strobe Light
- 500 ft 1/2 inch Hose
- Workstation Light
- Two Aluminum Fender Tool Boxes
- Needler "Water By-Pass Valve"
- Pressure Discs
- 2 1/2" Hydrant Fitting

OPTIONAL ACCESSORIES:

- 1/4" Mini Jet Kit
- MK2 Dump Gun
- Hose Footage Counter
- Manhole Light
- Garden Hose Fill
- 2" Jet Pump
- Pressure Relief Valve
- Warthog 1/2" Nozzle Package
- Nozzle Holder
- Larger Fender Tool Boxes
- High Efficiency Drain Jet 6R
- High Efficiency Drain Jet 3R1F



Harben Incorporated provides the information here in good faith but makes no representation as to its comprehensiveness or accuracy. This data sheet/quotation is intended only as a guide to Harben Incorporated products and services. Individuals using this data sheet/quotation must exercise their independent judgment in evaluating product selection and determining product appropriateness for their particular purpose and system requirements. Harben Incorporated makes no representations or warranties, either expressly or implied, including without limitation any warranties of merchantability or fitness for a particular purpose with respect to the information set forth herein or the product(s) to which the information refers. Accordingly, Harben Incorporated will not be responsible for damages (of any kind, or nature incidental, indirect or consequential damages) resulting from the use of or reliance upon this information. Harben Incorporated reserves the right to change product designs and specifications without notice.

WHY BUY A HARBEN



The “P” Pump:

- 5 YEAR WARRANTY for drain and sewer cleaning. Barrels are stainless steel so no rust or corrosion. In contrast to conventional triplex pumps, the Harben Radial Piston Diaphragm pump (the “P” pump) doesn’t use water to lubricate or cool the pump. This allows our units to OPERATE FOR YEARS BETWEEN OVERHAULING or REBUILDING.
- Jump Jet pulsates at pressures up to 2,500 PSI without damaging the pump.
- Unlike our competitors, the HARBEN “P” Pump will RUN DRY without water INDEFINATELY. The Radial Piston design allows for running the pump without water. There are no packing or seals to keep cool or to lubricate. There are no low water shut off valves.
- The “P” Pump is QUIET with cushioned, direct drive power ends. There is NO water pump drive belt or sprockets to replace or adjust. The pump is so smooth it hangs freely (no mounts) from the engine.
- The “P” Pump has a long HISTORY! Developed 40 years ago, the Radial Piston Diaphragm design has a world wide track record of proven performance in a multitude of industrial, municipal, and pipe cleaning applications. There are over 11,000 units worldwide.



ENGINE:

- Harben features Kubota industrial diesel engines. The engine is warranted for two years with certain internal components protected for three years..
- Currently using the Kubota diesel engine rated at 49 hp. The Kubota 3 cylinder turbocharged diesel engine, and the NEW Kubota 4CYL 2.5L EPA electronic fuel injected 61 hp naturally aspirated gasoline engine make for a great edition to the Harben Jetter line.
- Harben industrial class diesels typically run 8,000 to 10,000 hours with no more than regular preventive maintenance service.
- All engines are mounted on a relatively small footprint saving space and weight.



TRAILER AND BODY:

- Built on a single axle, E-180 jettors weigh 3,800 lbs dry, for easy towing and maneuverability.
- The standard body is POWDER COATED ACRYLIC ENAMEL for exceptional wear in marine and outdoor environments.
- Units are customizable with work lights, fender mounted tool boxes or an auxiliary hose reel for improved utility.



VALUE:

- Harben water jettors – The OLDEST and MOST RESPECTED name in the business. Owners are protected with EXCEPTIONAL WARRANTY PROTECTION and trouble free performance.
- Harben water jettors are ENGINEERED to reduce risks of operator injury and safeguard machine components from damage in the event of operator error.

Add value with LOCAL SERVICE and SUPPORT including technical assistance, operator training, parts and repair service.

Visit www.harben.com or call for more information about Harben water jetting machines