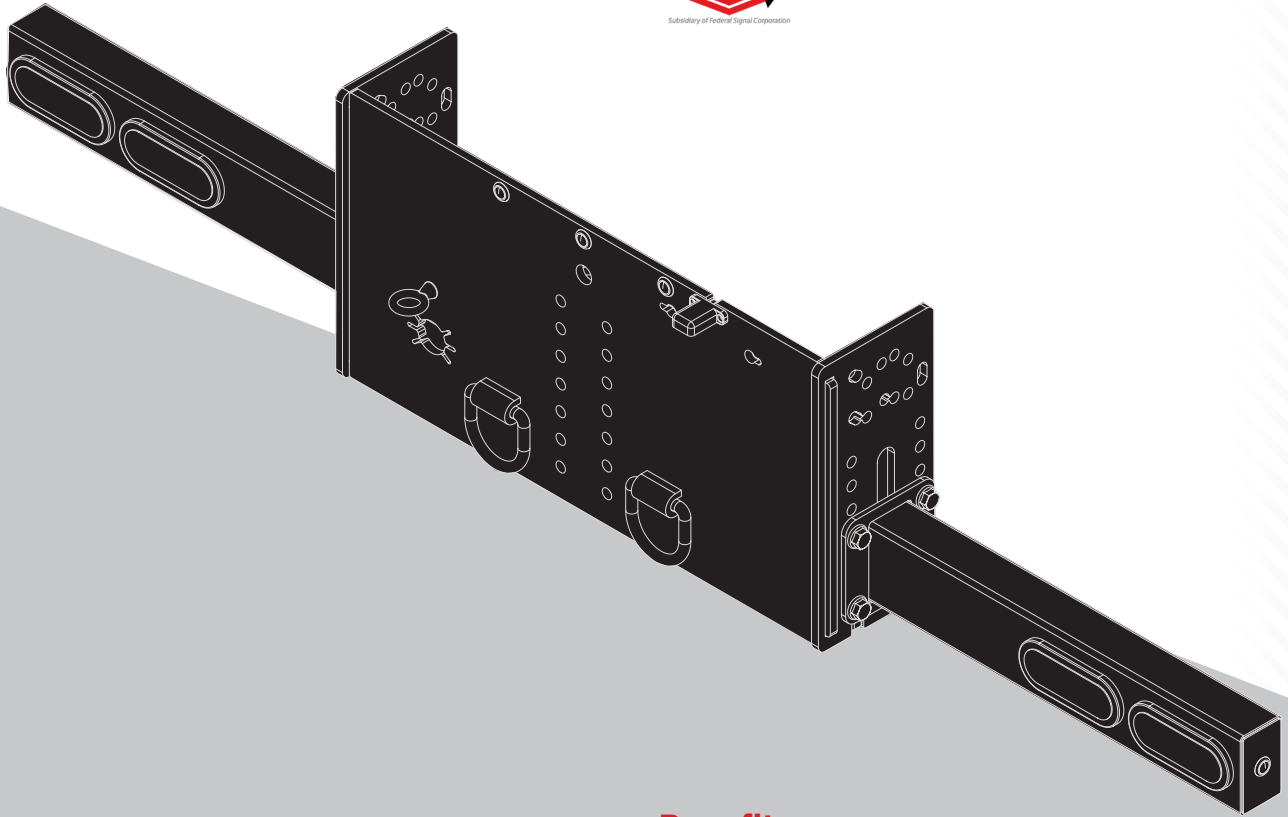


Versa-Fit™

BUMPER SYSTEM

PRODUCT OF **SWITCH-N-GO**
Subsidiary of Federal Signal Corporation



SWITCHNGO.COM

Features

- Available in universal Ford/RAM/Chevy/Int bolt on design
- Available in universal weld on design
- Adjustable height ICC bars with or without lights
- Predrilled and tapped license plate, pintle hitch, and breakaway cable mounting points
- Mounting points for license plate, breakaway cable, receiver
- Standard light package includes stop, turn, tail, reverse, and strobe
- Holes predrilled marker light, license light, and back up camera
- OEM and Universal light harness options
- Two premounted heavy duty d-rings

Benefits

Significant Labor Savings vs Industry Standard

- Pre-located mounting holes
- OEM specific bolt patterns
- Easy connect wiring harnesses

Versatility

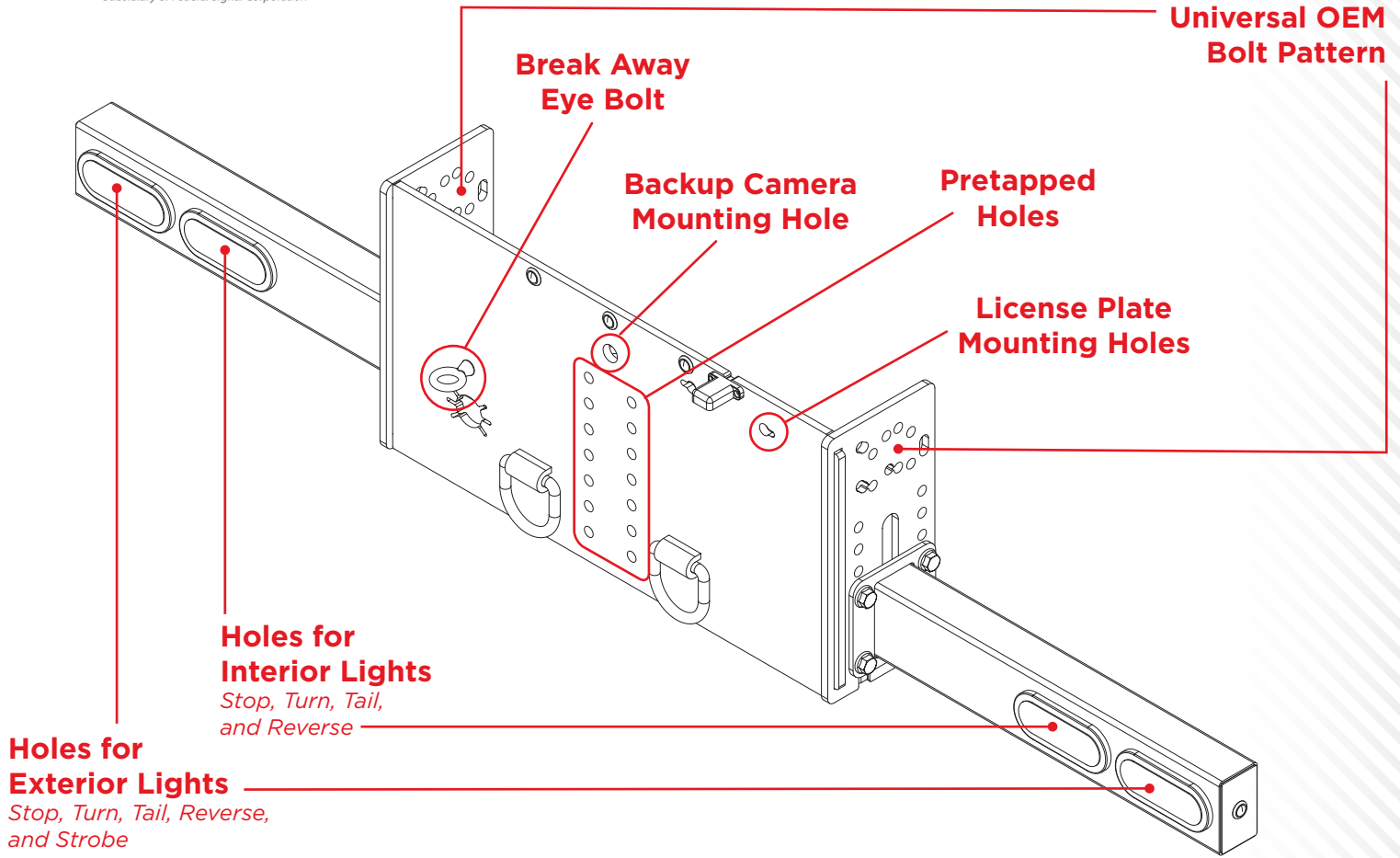
- Works with Switch-N-Go®, hooklift, and direct mount body applications
- Interchangeable, height adjustable ICC bars with or without lights work on both bolt-on and weld-on systems
- Supports class 4-7 applications for all OEMs
- Accepts pintle hitch and receiver hitch options

TO FIND A DEALER IN YOUR AREA

SWITCHNGO.COM/DEALER

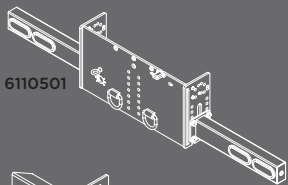


Subsidiary of Federal Signal Corporation

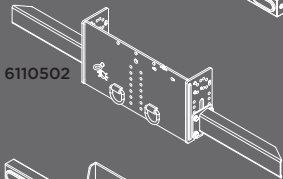


PATENT: US 11,247,623 B2

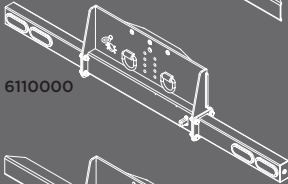
SPECIFICATIONS



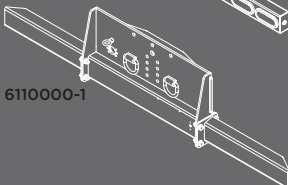
Bumper Style	OEM Compatibility	Part Number	Includes
20K Bolt-on Bumper with Lights	Ford (Class 4/5/600, 2018 and newer)	6110501	Bumper face plate, light tubes, lights*, and mounting hardware.
	Ram (Class 4/5, 2018 and newer)		
	Chevy/International (Class 5, 2019 and newer)		



Bumper Style	OEM Compatibility	Part Number	Includes
20K Bolt-on Bumper with ICC Bars (for use with factory lights)	Ford (Class 4/5/600, 2018 and newer)	6110502	Bumper face plate, ICC bars, and mounting hardware
	Ram (Class 4/5, 2018 and newer)		
	Chevy/International (Class 5, 2019 and newer)		



Bumper Style	OEM Compatibility	Part Number	Includes
Weld-on Bumper with Lights	Universal (LCF, Isuzu, Hino)	6110000	Bumper face plate, light tubes, lights*



Bumper Style	OEM Compatibility	Part Number	Includes
Weld-on Bumper with ICC Bars (for use with factory lights)	Universal (LCF, Isuzu, Hino)	6110000-1	Bumper face plate and ICC bars.

* TWO LIGHTS // 1: Stop, Tail, Turn, and Backup; 2: Stop, Tail, Turn, Backup, and Strobe

Specifications are subject to change without notice. For warranty information on this or any other Switch-N-Go® product please refer switchngo.com/warranty.